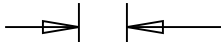
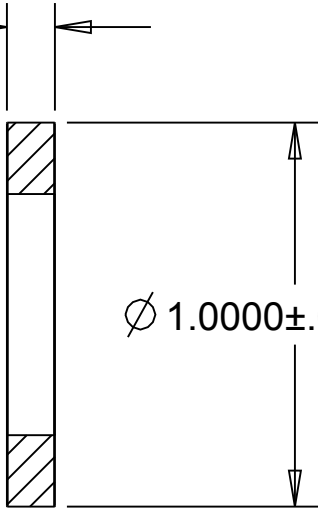
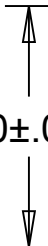


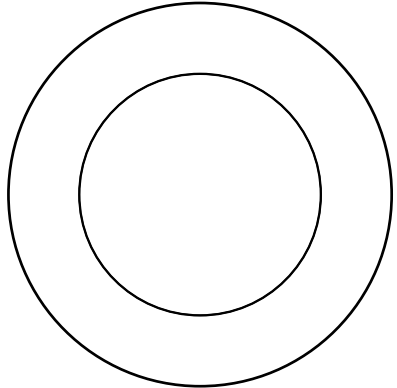
.12500±.00250



∅ .6280±.0050



∅ 1.0000±.0100



SECTION A-A

All dimensions in inches

NOTE1: Impregnated with 100 Grade R&O turbine oil unless otherwise specified

NOTE2: Typical PM Chamfers All Corners

MATERIAL:
CT-1000-K26 (SAE 841)
Sintered Bronze

DRAWING NOT TO SCALE

SYMMCO INC.
Bronze Thrust Washer
ST-2032-4
5/8 ID X 1 OD X 1/8 LEN