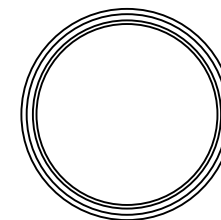
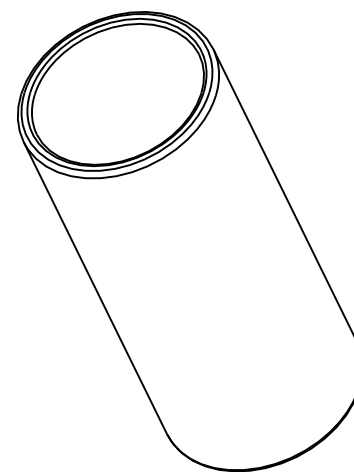


SECTION A-A



All dimensions in inches

NOTE1: Impregnated with 100 Grade R&O turbine oil unless otherwise specified

NOTE2: Typical PM Chamfers All Corners

MATERIAL:

CT-1000-K26 (SAE 841)
Sintered Bronze

DRAWING NOT TO SCALE

SYMMCO INC.

Bronze Sleeve Bearing

SS-1214-16

3/8 ID 7/16 OD 1 LEN