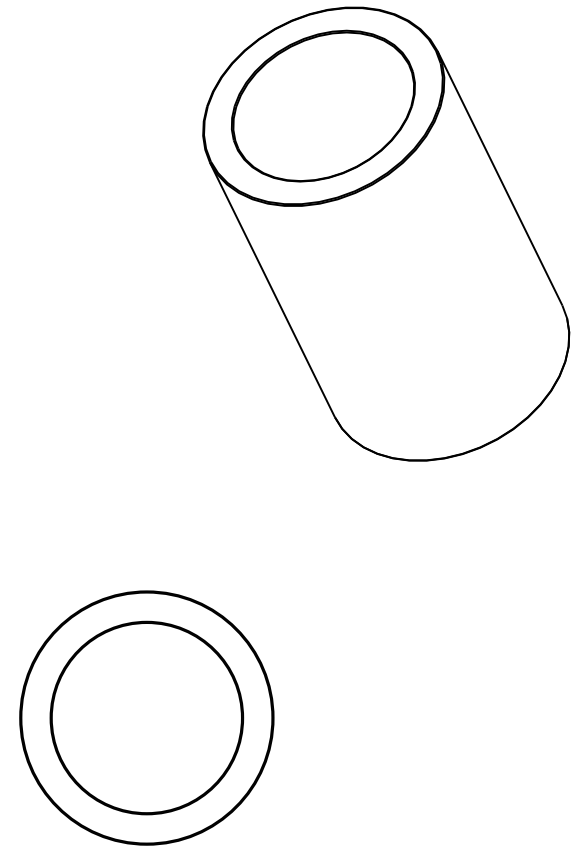


SECTION A-A



All dimensions in inches

NOTE 1: Impregnated with 100 Grade R&O turbine oil unless otherwise specified

NOTE 2: Bars will finish to dimensions shown

MATERIAL:
CT-1000-K26 (SAE 841)
Sintered Bronze

DRAWING NOT TO SCALE

SYMMCO INC.
Bronze Cored Bar Stock
SCS-2432-6
3 ID X 4 OD X 6-1/2 LEN